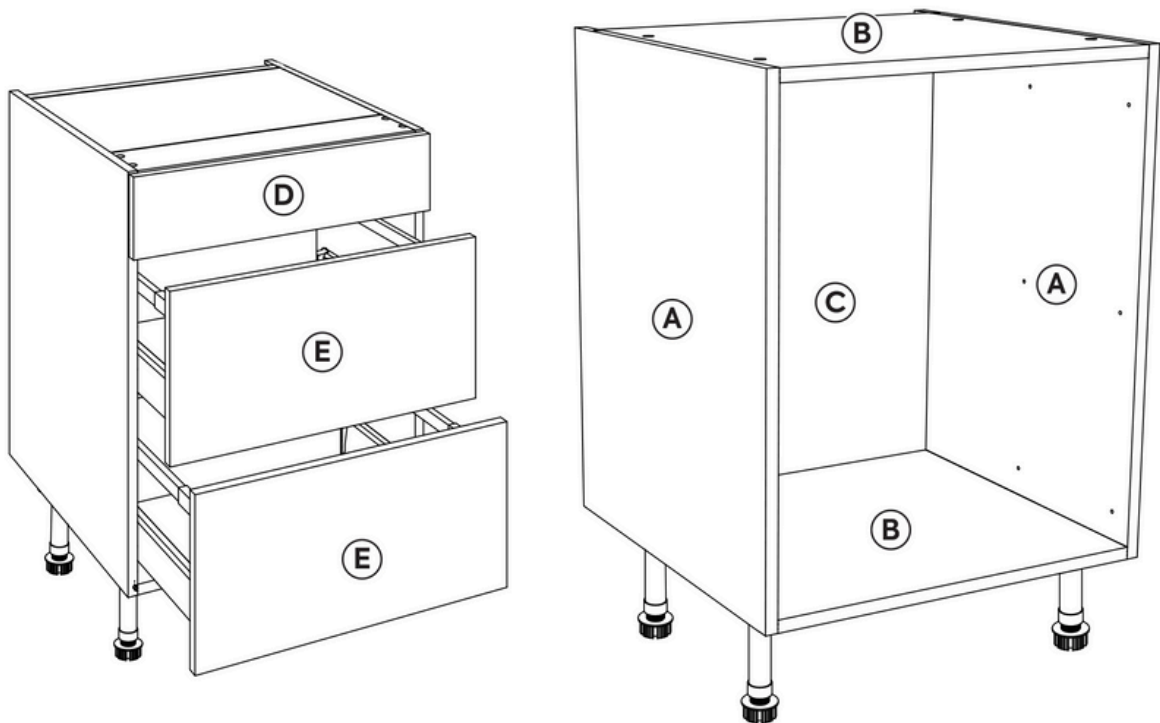
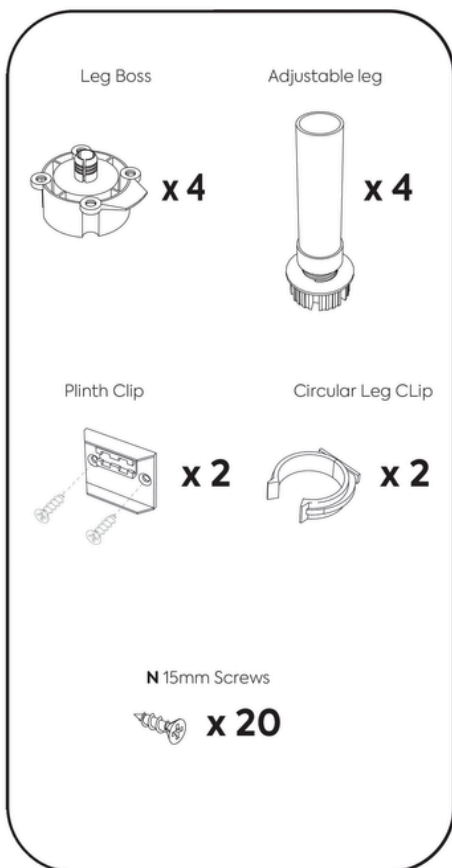


# Cabinets4U

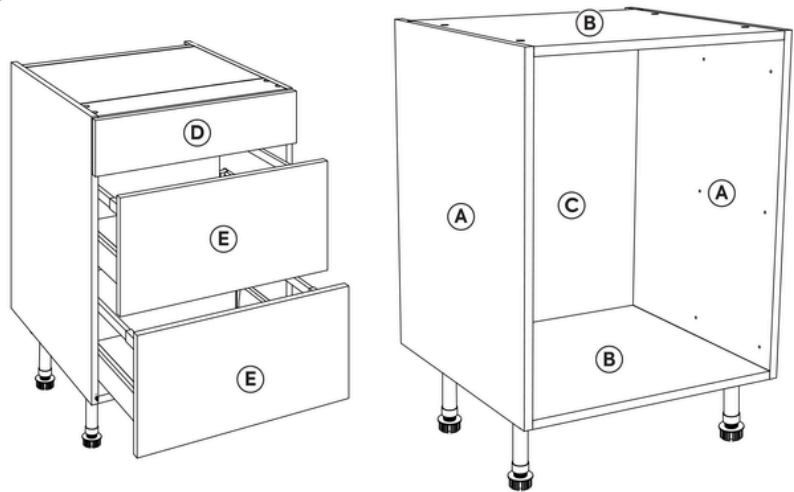
## DRAWER CABINET ASSEMBLY INSTRUCTIONS



## THE STEP-BY-STEP GUIDE TO INSTALLING YOUR NEW CABINET



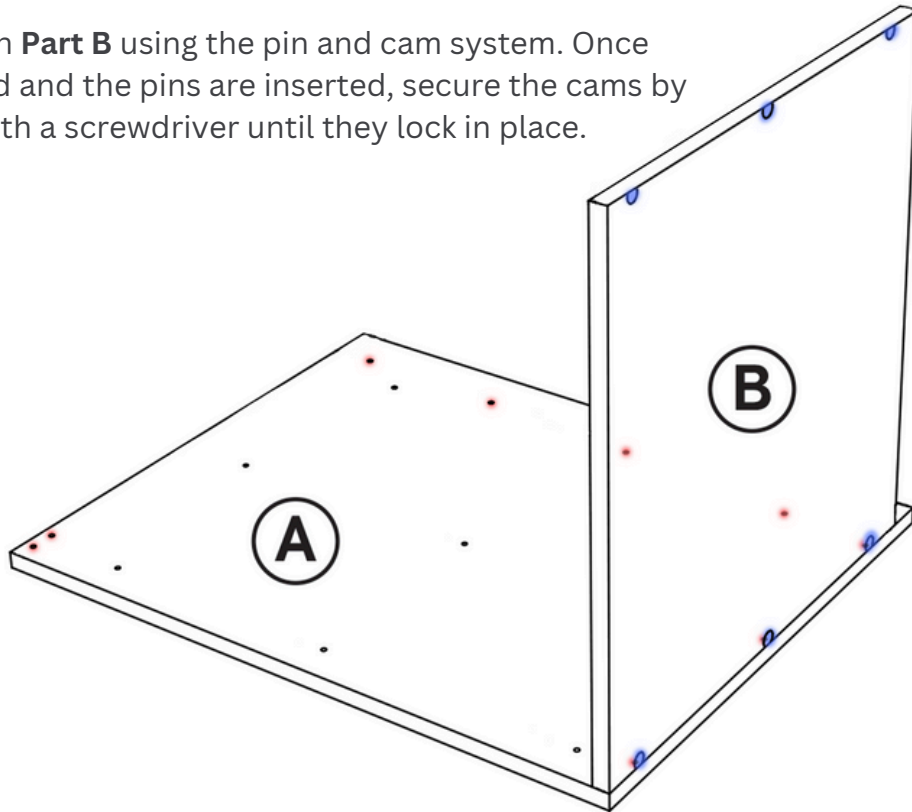
- (A) End Panel x 2
- (B) Top/Bottom Panel x 2
- (C) Back Panel x 1
- (D) Top Drawer Front x 1
- (E) Pan Drawer Front x 2



Please Note - Drawer boxes are in a seperate pack due to weight

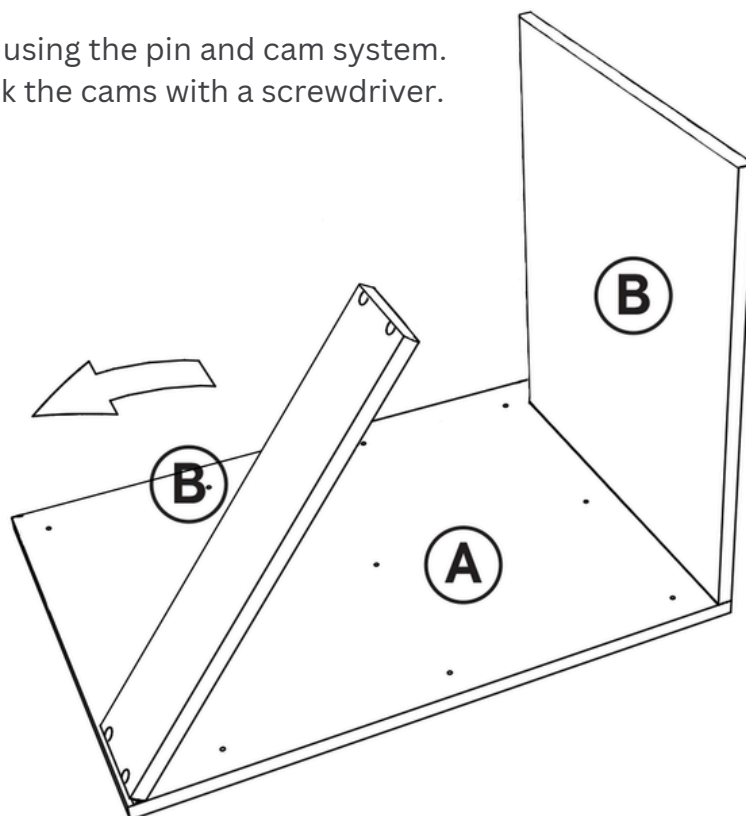
## STEP - 1

Align **Part A** with **Part B** using the pin and cam system. Once properly aligned and the pins are inserted, secure the cams by turning them with a screwdriver until they lock in place.



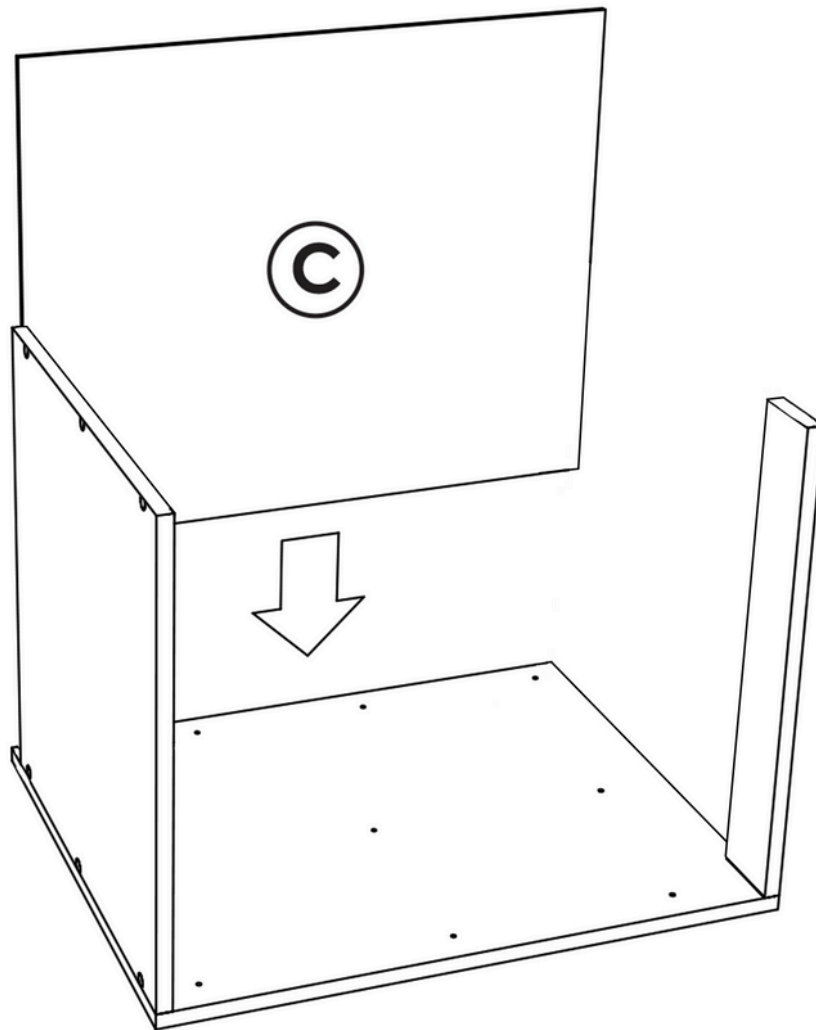
## STEP - 2

Align **Part B** with **Part A** using the pin and cam system. Insert the pins, then lock the cams with a screwdriver.



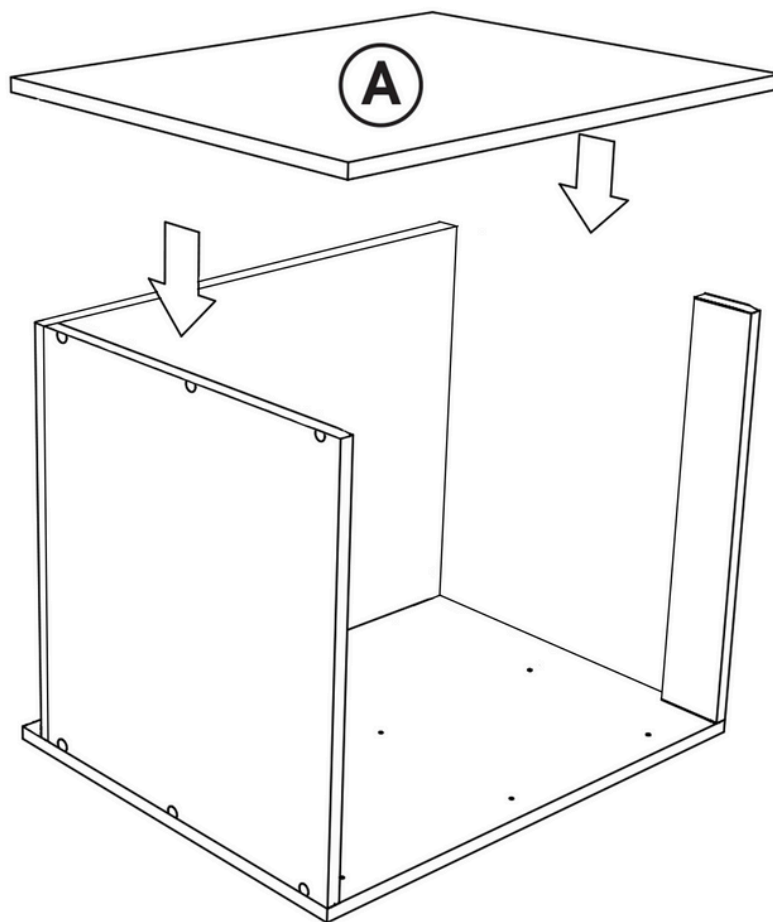
## STEP - 3

Align **Part C** with **Part A** using the pin and cam system. Insert the pins, then lock the cams with a screwdriver.



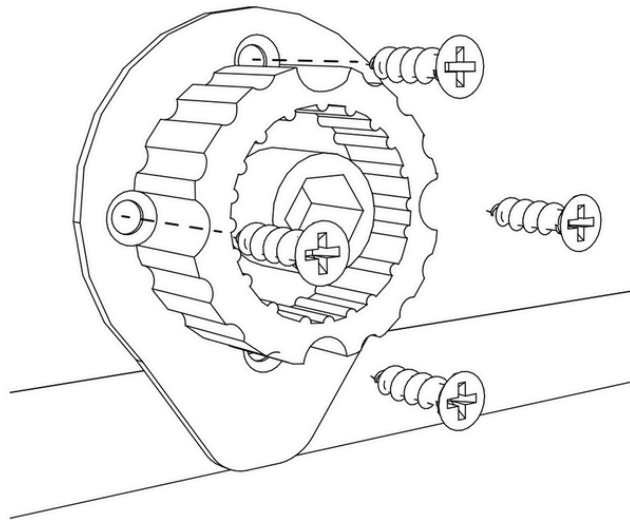
## STEP - 4

Align **Part A** with the assembled parts using the pin and cam system. Insert the pins, then lock the cams with a screwdriver.



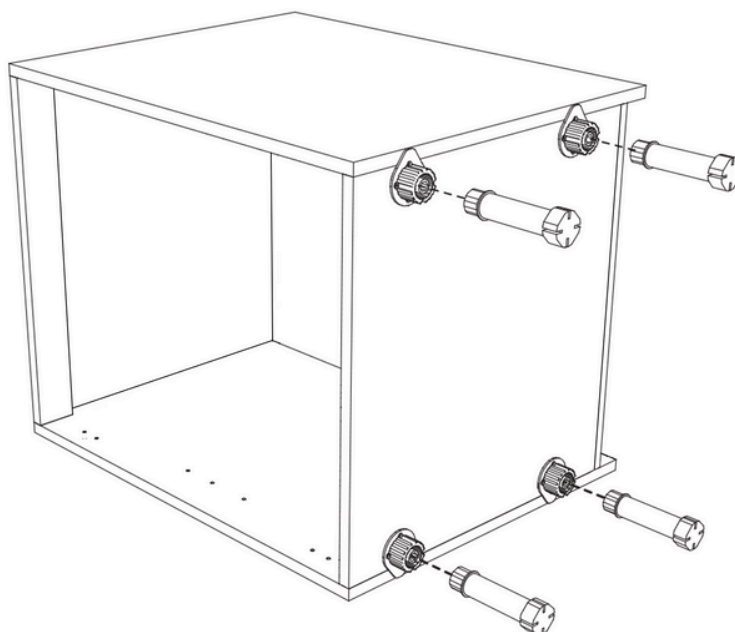
## STEP - 5

Screw in all leg boss's using the 15mm screws.



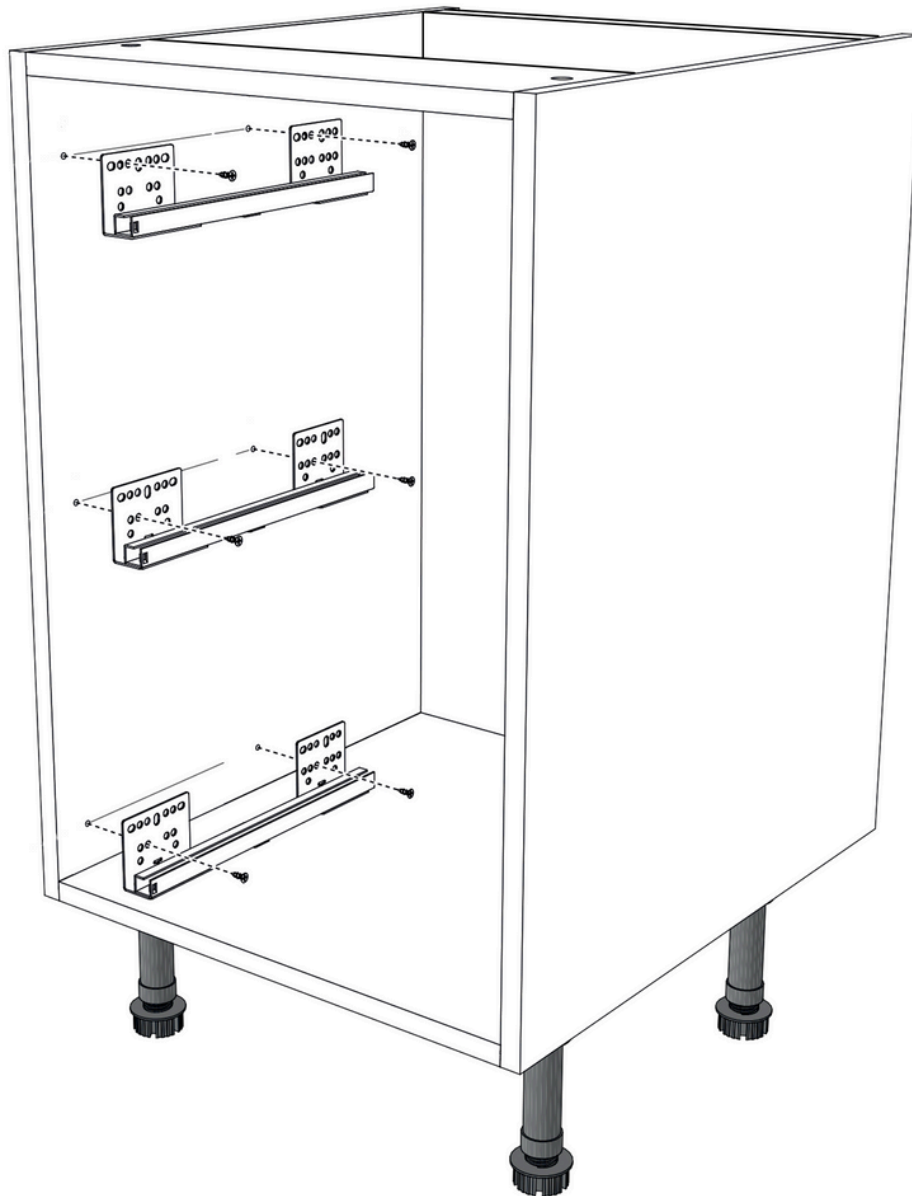
## STEP - 6

Insert the adjustable legs into the leg bases.



## STEP - 7

Attach the runners (A) to the inside of the cabinet using the pre-drilled holes on the sides and the top holes of the runners.



### **DRAWER ASSEMBLY**

Please refer to the separate instructions for each individual drawer and its front. You can find this information included in the drawer assembly pack.